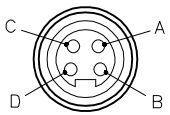

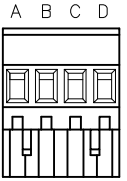
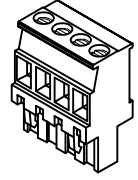
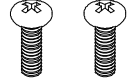
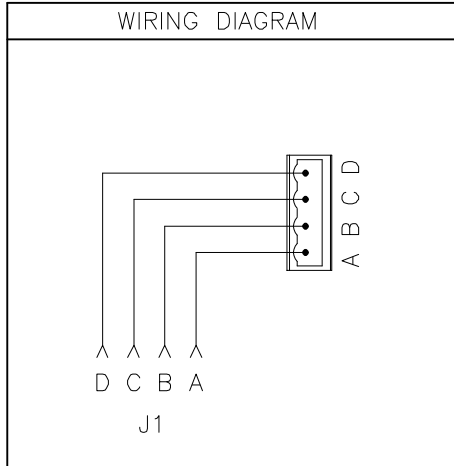
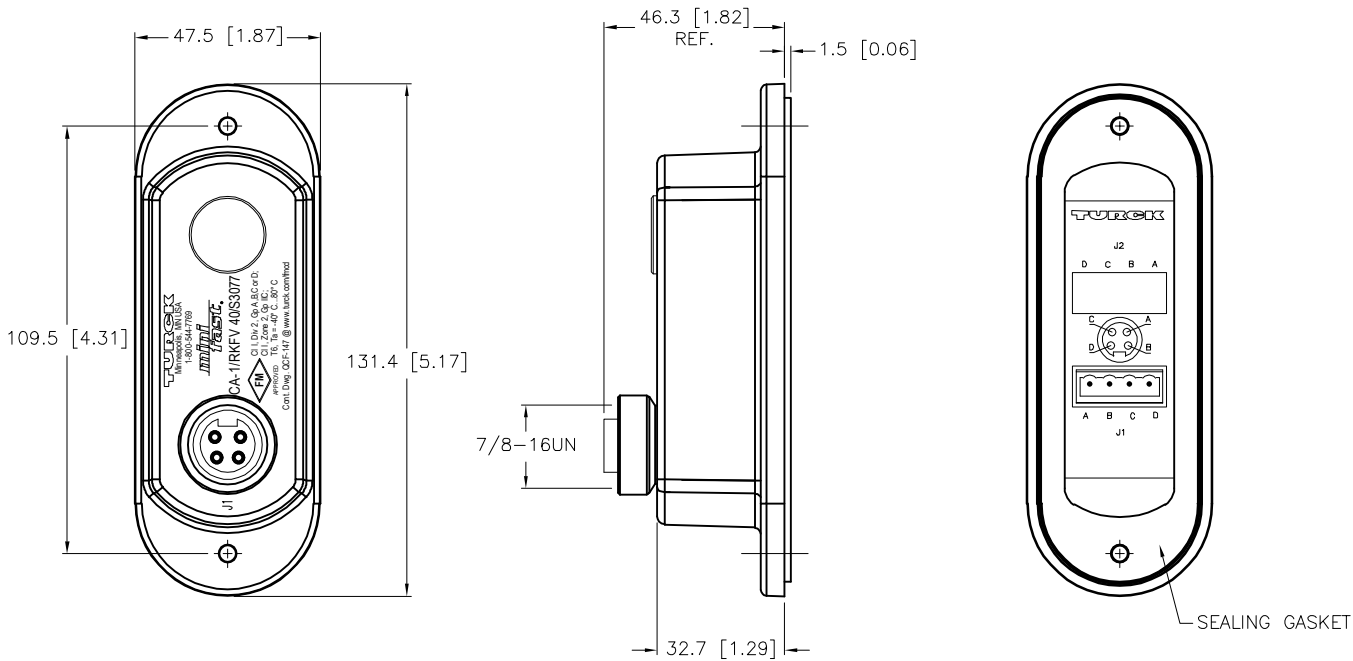


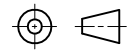
J1 CONNECTOR	TERMINAL BLOCK PLUG	TERMINAL PLUG	COVER SCREWS	SPECIFICATIONS	
 		(INCLUDED) 	(INCLUDED)  8-32 SCREWS	HOUSING MATERIAL/COLOR	NYLON 66 - 33% GLASS FILLED/BLACK
				RECEPTACLE HOUSING MATERIAL/FINISH	STAINLESS STEEL/PASSIVATED
				CONTACT CARRIER/COLOR	TPU/BLACK
				CONTACT MATERIAL/PLATING	BRASS/GOLD
				OPERATING VOLTAGE	250 V
				OPERATING CURRENT	9.0 A PER CONDUCTOR
				PROTECTION CLASS to DIN 40050	IP 67 - ONLY WHEN ALL RECEPTACLES ARE COVERED WITH PLUGS OR CONNECTED
				OPERATING TEMPERATURE	-30°C to +80°C (-22°F to +176°F)



NOTES:

1. "/S3077" DESIGNATES ADAPTOR PLATE FOR 3/4" FORM 7 TYPE CONDUIT BODIES ADDED TO THE STANDARD CONDUIT COVERS. (SEE PAGE 2)

SOURCE DRAWING - FOR REFERENCE ONLY

RELATED DOCUMENTS 1. 2. 3. 4.	3RD ANGLE PROJECTION 	THIS DRAWING IS CONFIDENTIAL AND THE PROPERTY OF TURCK INC. USE OF THIS DOCUMENT WITHOUT WRITTEN PERMISSION IS PROHIBITED.		3000 CAMPUS DRIVE MINNEAPOLIS, MN 55441 1-800-544-7769 (763) 553-7300 (763) 553-0708 fax www.turck.us		
		DRFT RDS DATE 07/31/09		DESCRIPTION CA-1/RKFV 40/S3077		
		APVD SCALE 1=2.0		IDENTIFICATION NO. U3-10853		REV F
		UNIT OF MEASUREMENT <b>MILLIMETER [ INCH ]</b>		DO NOT SCALE THIS DRAWING		FILE: U3-10853 SHEET 1 OF 2
MATERIAL SEE SPECIFICATIONS		ALL DIMENSIONS DISPLAYED ON THIS DRAWING ARE FOR REFERENCE ONLY				
FINISH SEE SPECIFICATIONS		CONTACT TURCK FOR MORE INFORMATION				

F	UPDATE CLICHE	NF	10/21/25	81452
REV	DESCRIPTION	BY	DATE	ECO NO.